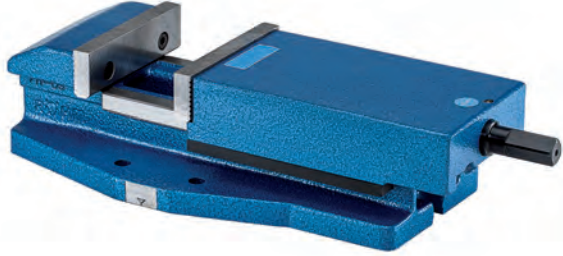


# RS - without power transmitter



### APPLICATION

For conventional machine tools.

### TYPE

Clamping system mechanical without power transmitter, manually operated.

### CUSTOMER BENEFITS

- ⊕ Optimal price/performance ratio
- ⊕ Entire clamping range can be bridged over by turning the handcrank
- ⊕ Spindle is protected from dirt and chips
- ⊕ Extensive assortment of jaws

### TECHNICAL FEATURES

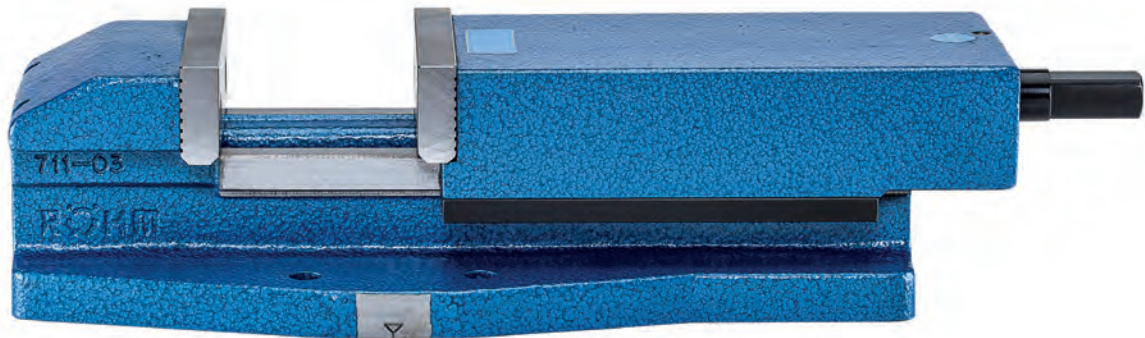
- Made of special cast iron for versatile use
- Long guidance of moving jaw
- Force transfer by means of threaded spindle
- With normal jaws SGN and handcrank
- Use on rotary plate with graduation

A11  
RS, with SGN normal jaws and hand crank

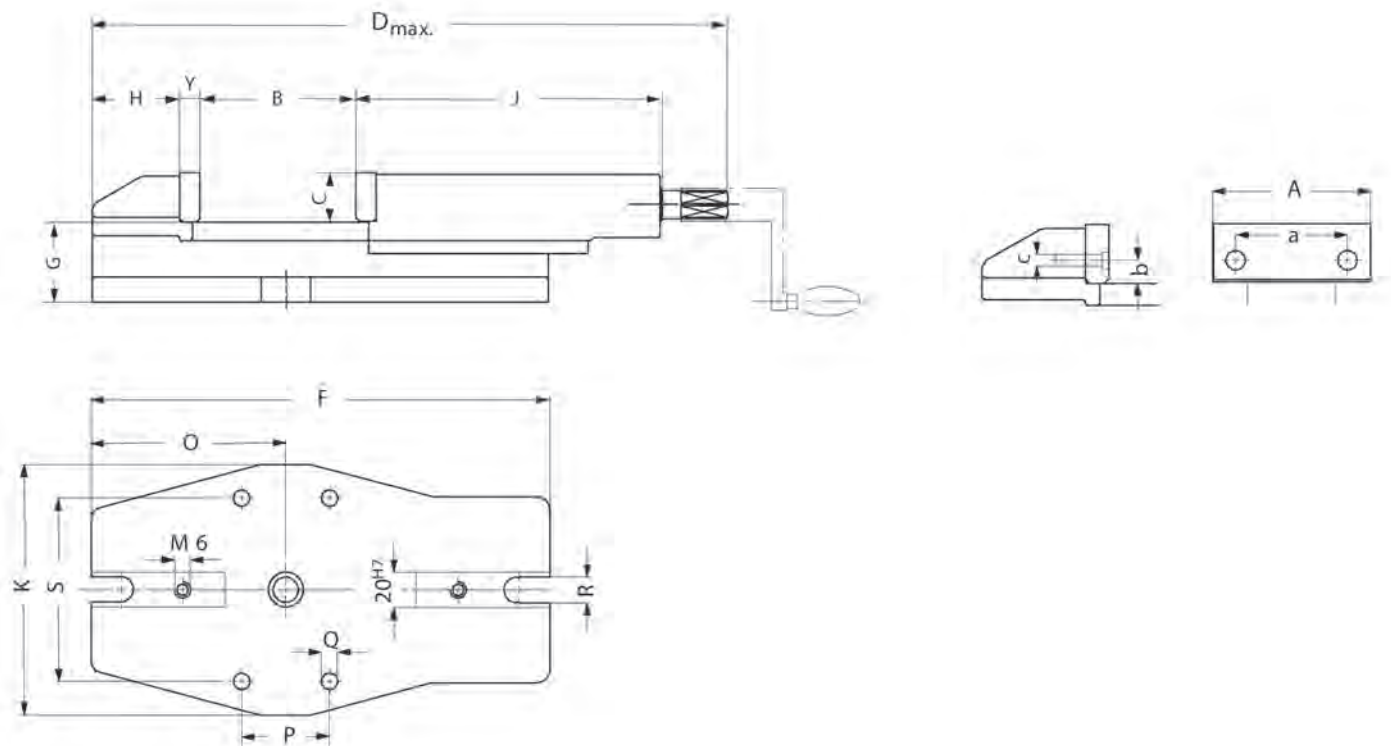
RS machine vice

Item no.	128031	128032	128033	128034	111648
Size	1	2	3	4	5
Jaw width A mm	92	113	135	160	200
B mm	85	105	125	145	185
C mm	31,6	31,6	39,6	49,6	62,6
D mm	362	423	510	575	675
F mm	260	300	365	410	460
G mm	48	58	64	70	82
H mm	50	55	70	80	90
J mm	174	200	242	273	322
K mm	160	160	200	240	280
O mm	115	125	155	175	200
P mm	60	60	70	80	118
Q mm	13	13	13	17	21
R mm	14	14	14	18	22
S mm	120	120	146	184,5	210
Y mm	12	12	16	16	20
a mm	63	63	80	100	125
b mm	13,6	13,6	15,6	19,6	24,6
c	M6	M6	M8	M8	M10
Clamping force kN	18	25	35	45	55
Weight kg	12	13,5	25	40	65

# RS - without power transmitter



RS machine vice



# Accessories RS

A37

**Draw-down jaws SNF**, with spring plate, hardened and ground

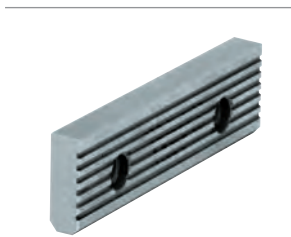


Item no.	Contents of delivery	Size	Width mm	Height mm
077104 ▲	set	2	113	31,6
077105 ▲	set	3	135	39,6
077106 ▲	set	4	160	49,6
077107 ▲	set	5	200	62,6

Including fixing screws

A37

**Normal jaw SGN**, one side smooth, one side grooved, both sides ground



Item no.	Contents of delivery	Size	Width mm	Height mm
152752	piece	1	92	31,6
152753	piece	2	113	31,6
152754	piece	3	135	39,6
152755	piece	4	160	49,6
152759	piece	5	200	62,6

A37

**Normal jaw finely checkered SGNf**, reversible, to increase the specific contact pressure (higher holding forces), one side finely checkered, one side longitudinally grooved

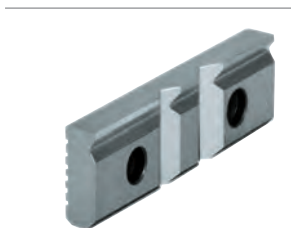


Item no.	Contents of delivery	Size	Width mm	Height mm
163218 ▲	piece	1	92	31,6
156195	piece	2	113	31,6
156196	piece	3	135	39,6
156197	piece	4	160	49,6
156198	piece	5	200	62,6

Including fixing screws

A37

**V-jaw SPR**, with vertically and horizontally ground-in prisms, hardened, for combination with SGN



Item no.	Contents of delivery	Size	Width mm	Height mm	Chucking capacity mm	
					Horizontal	Vertical
128770	piece	1	92	31,6	3-13	5-32
082362	piece	2	113	31,6	3-13	5-32
082363	piece	3	135	39,6	4-20	6-40
082364	piece	4	160	49,6	5-29	7-48
082365	piece	5	200	62,6	6-37	8-56

Including fixing screws

A37

**Normal jaw SGNA**, with movable workpiece stop, hardened and ground



Item no.	Contents of delivery	Size	Width mm	Height mm
150739 ▲	piece	2	113	31,6
150740 ▲	piece	3	135	39,6
150741 ▲	piece	4	160	49,6

Including fixing screws

# Accessories RS

C15

**Hand crank HKU**, with octagon socket



Item no.	Contents of delivery	Size	Octagon	Key-width SW	L
009150	piece	1	12	Octagon	80
009152	piece	2	14	Octagon	125
009153	piece	3	17		160
009154	piece	4/5	19	Octagon	200

A37

**Standard rotation plate DP**, with fixing screws and T-slot nuts, ground contact edge, graduation



Item no.	Size	External Ø mm	Height	Center Ø	Weight
129814	1/2	242	30	28	7,5
082442	3	280	30	28	11
082443	4	340	34	28	18

A37

**Universal rotation plate DP**, with fixing screws and T-slot nuts, ground contact edge, graduation



Item no.	Size	External Ø mm	Height	Center Ø	Weight
090854 ▲	5	420	40	28	23